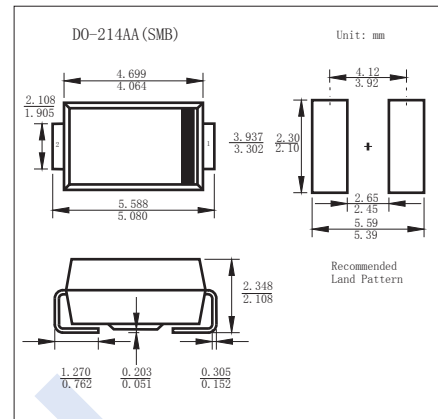


## Schottky Diodes

### 1N5820 ~ 1N5822

#### ■ Features

- Low power loss, high efficiency
- High current capability, low forward voltage drop
- High surge capability
- Guardring for overvoltage protection



#### ■ Absolute Maximum Ratings $T_a = 25^\circ\text{C}$

Parameter	Symbol	1N5820	1N5821	1N5822	Unit
Repetitive Peak Reverse Voltage	$V_{RRM}$	20	30	40	V
RMS Voltage	$V_{RMS}$	14	21	28	
Non-Repetitive Peak Reverse Voltage	$V_{RSM}$	24	36	48	
Maximum DC Blocking Voltage	$V_{DC}$	20	30	40	
Maximum Instantaneous Forward Voltage at 3.0 *1	$V_F$	475	500	525	mV
Maximum Instantaneous Forward Voltage at 9.4 *1		850	900	950	
Averaged Forward Current $T_L=95^\circ\text{C}$	$I_{FAV}$	3			A
Peak Forward Surge Current $T_L=75^\circ\text{C}$	$I_{FSM}$	80			
Maximum DC Reverse Current $T_a=25^\circ\text{C}$ $T_a=100^\circ\text{C}$ *1	$I_R$	2 20			mA
Thermal Resistance From Junction to Ambient	$R_{\theta JA}$	40			
Thermal Resistance From Junction to Lead	$R_{\theta JL}$	10			
Junction Temperature	$T_j$	125			$^\circ\text{C}$
Storage Temperature	$T_{stg}$	-65 to 125			

\*1:Pulse test: 300ms pulse width, 1% duty cycle

#### ■ Marking

NO.	1N5820	1N5821	1N5822
Marking	SS32	SS33	SS34

# Schottky Diodes

## 1N5820 ~ 1N5822

■ Typical Characteristics

FIG. 1 - FORWARD CURRENT DERATING CURVE

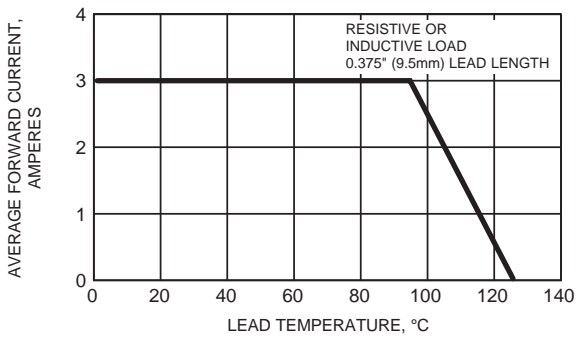


FIG. 2 - MAXIMUM NON-REPETITIVE PEAK FORWARD SURGE CURRENT

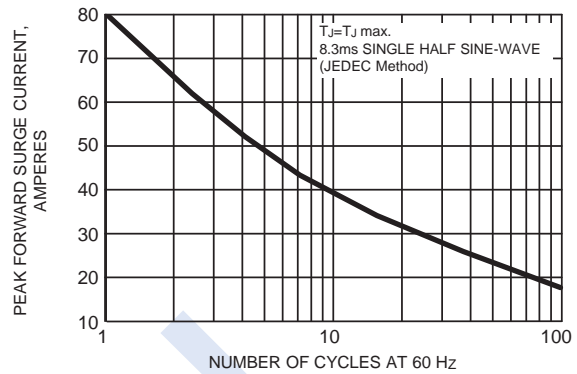


FIG. 3 - TYPICAL INSTANTANEOUS FORWARD CHARACTERISTICS

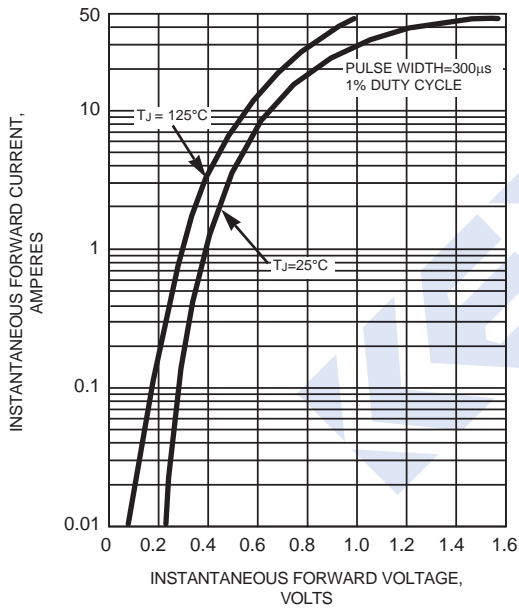


FIG. 4 - TYPICAL REVERSE CHARACTERISTICS

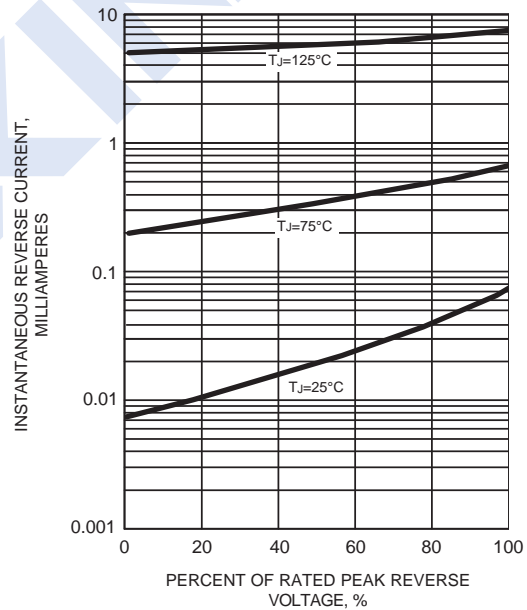


FIG. 5 - TYPICAL JUNCTION CAPACITANCE

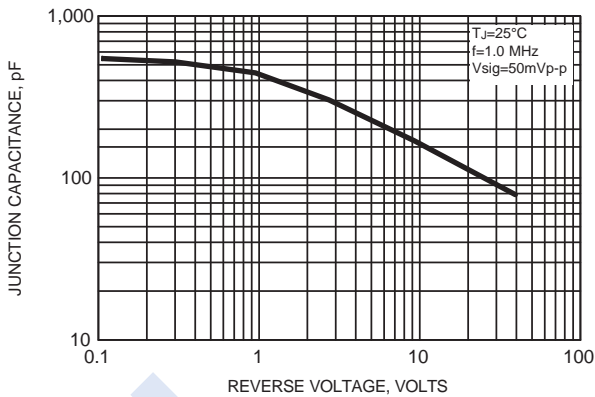


FIG. 6 - TYPICAL TRANSIENT THERMAL IMPEDANCE

