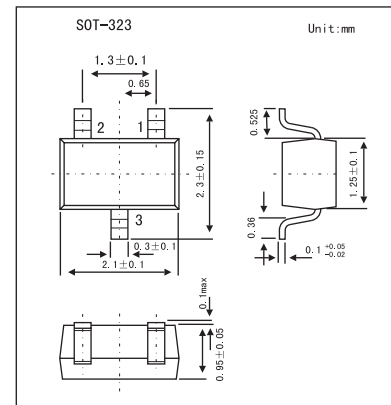


## VHF TUNER BAND SWITCH APPLICATIONS

## 1SS313

## ■ Features

- Small Total capacitance:  $C_T = 1.2\text{pF}(\text{Max})$
- Low series resistance:  $r_s = 0.6\ \Omega(\text{Typ.})$

■ Absolute Maximum Ratings  $T_a = 25^\circ\text{C}$ 

Parameter	Symbol	Rating	Unit
Reverse Voltage	$V_R$	30	V
Forward Current	$I_F$	50	mA
Junction temperature	$T_J$	125	$^\circ\text{C}$
Storage temperature range	$T_{\text{stg}}$	-55 to +125	$^\circ\text{C}$

■ Electrical Characteristics  $T_a = 25^\circ\text{C}$ 

Parameter	Symbol	Conditions	Min	Typ	Max	Unit
Forward voltage	$V_F$	$I_F = 2\ \text{mA}$			0.85	V
Reverse current	$I_R$	$V_R = 15\ \text{V}$			0.1	$\mu\text{A}$
Reverse voltage	$V_R$	$I_R = 1\ \mu\text{A}$	30			V
Total capacitance	$C_T$	$V_R = 6\ \text{V}, f = 1\ \text{MHz}$		0.8	1.2	pF
Series resistance	$r_s$	$I_F = 2\ \text{mA}, f = 100\ \text{MHz}$		0.6	0.9	$\Omega$

## ■ Marking

Marking	BG
---------	----