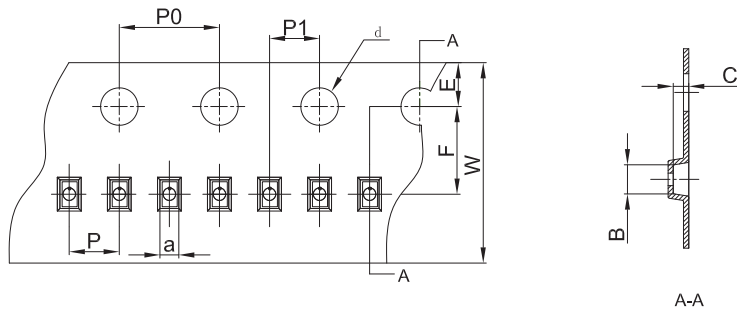


DFN0603 Tape and Reel Data

1. DFN0603 Embossed Carrier Tape Configuration:



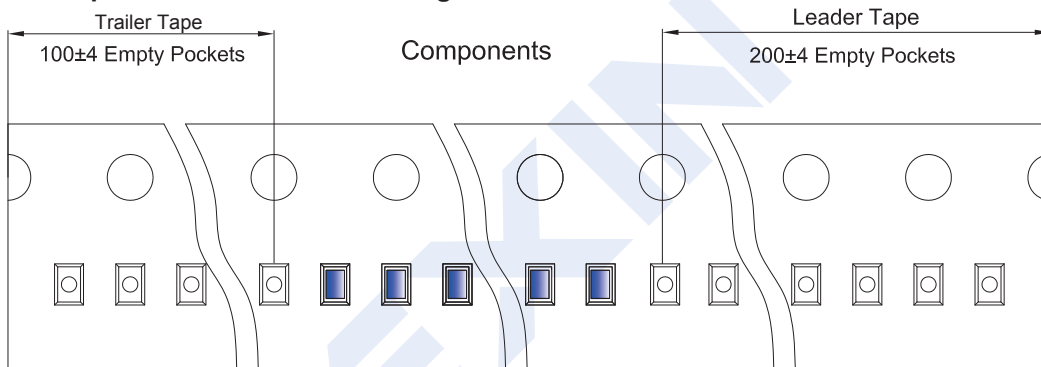
Packaging Description:

DFN0603 parts are shipped in tape. The carrier tape is made from a dissipative (carbon filled) polycarbonate resin. The cover tape is a multilayer film (Heat Activated Adhesive in nature) primarily composed of polyester film, adhesive layer, sealant, and anti-static sprayed agent. These reeled parts in standard option are shipped with 10,000 units per 7" or 17.8cm diameter reel. The reels are clear in color and is made of polystyrene plastic (anti-static coated).

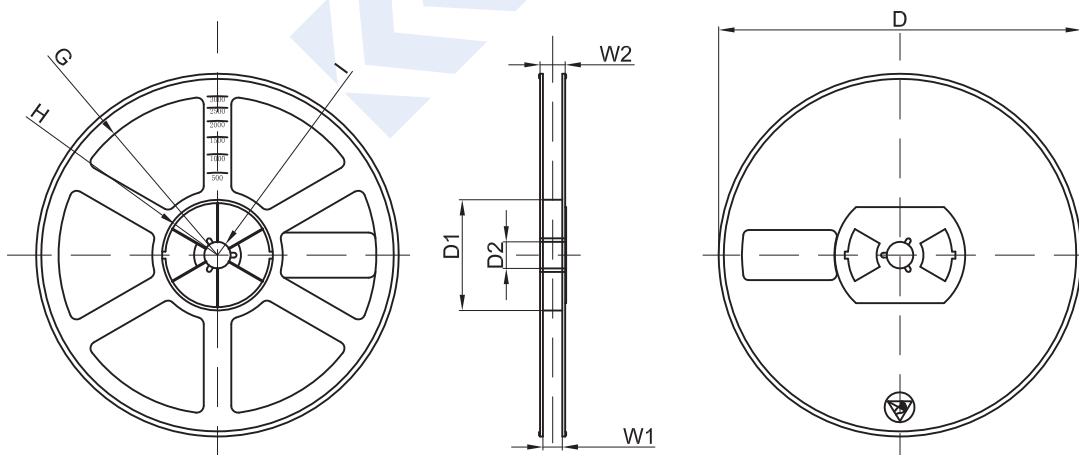
Note: If it is the product of the same polarity, the cathode line should be removed.

Dimensions are in millimeter										
Pkg type	a	B	C	d	E	F	P0	P	P1	W
DFN0603	0.41	0.70	0.38	Ø1.50	1.75	3.50	4.00	2.00	2.00	8.00

2. DFN0603 Tape Leader and Trailer Configuration:



3. DFN0603 Reel Configuration:



Dimensions are in millimeter								
Reel Option	D	D1	D2	G	H	I	W1	W2
7" Dia	Ø178.00	54.40	13.00	R78.00	R25.60	R6.50	9.50	12.30

REEL	Reel Size	Box	Box Size(mm)	Carton	Carton Size(mm)	G.W.(kg)
10000 pcs	7 inch	100,000 pcs	182×182×135	400,000 pcs	386×386×150 *	

* Which comes in different sizes depending on the number of parts shipped.