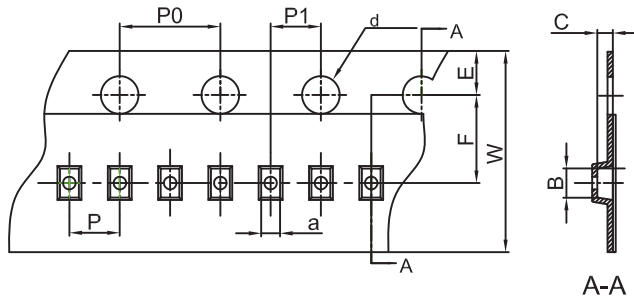


# DFN1006 Tape and Reel Data

## 1. DFN1006 Embossed Carrier Tape Configuration:

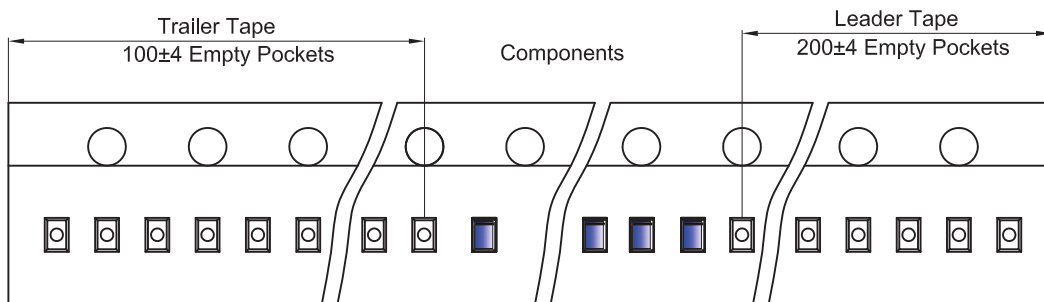


### Packaging Description:

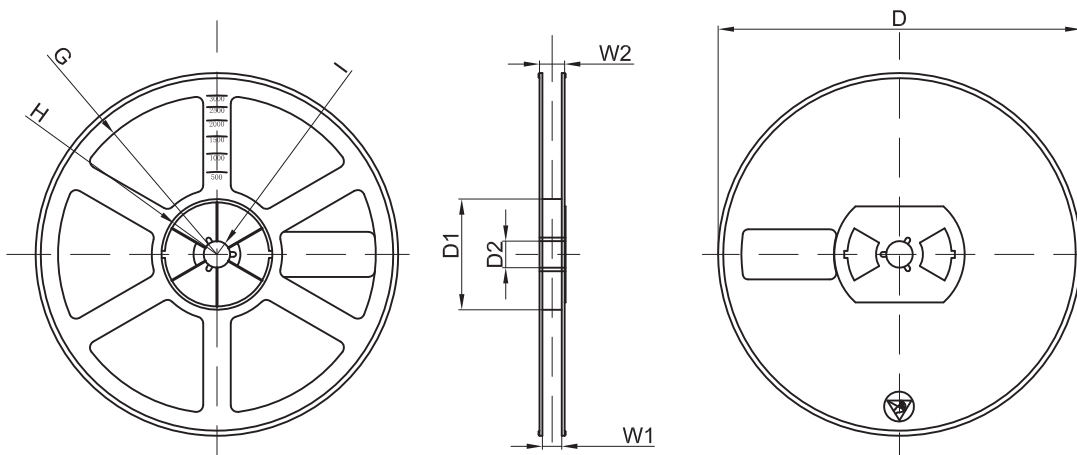
**DFN1006** parts are shipped in tape. The carrier tape is made from a dissipative (carbon filled) polycarbonate resin. The cover tape is a multilayer film (Heat Activated Adhesive in nature) primarily composed of polyester film, adhesive layer, sealant, and anti-static sprayed agent. These reeled parts in standard option are shipped with 10,000 units per 7" or 17.8cm diameter reel. The reels are clear in color and is made of polystyrene plastic (anti-static coated).

Dimensions are in millimeter										
Pkg type	a	B	C	d	E	F	P0	P	P1	W
<b>DFBN1006</b>	0.66	1.15	0.66	Ø1.50	1.75	3.50	4.00	2.00	2.00	8.00

## 2. SOT-23 Tape Leader and Trailer Configuration:



## 3. DFBN1006 Reel Configuration:



Dimensions are in millimeter								
Reel Option	D	D1	D2	G	H	I	W1	W2
7" Dia	Ø178.00	54.40	13.00	R78.00	R25.60	R6.50	9.50	12.30

REEL	Reel Size	Box	Box Size(mm)	Carton	Carton Size(mm)	G.W.(kg)
10000 pcs	7 inch	150,000 pcs	203×203×195	600,000 pcs	438×438×220	