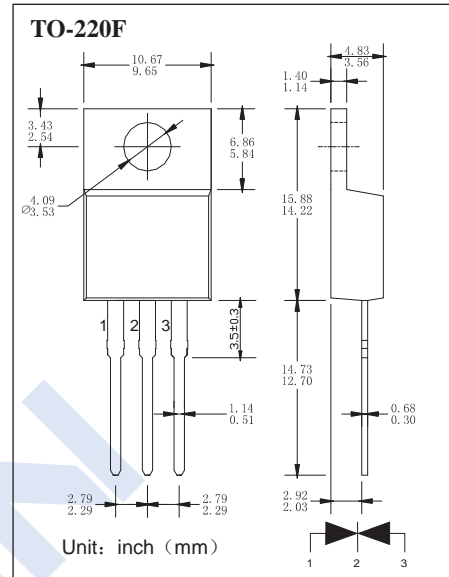


## Ultra-Fast Recover Diodes

### MUR1010CTF ~ MUR1060CTF

#### ■ Features

- High Current Capability
- Low Forward Voltage Drop
- Low Power Loss, High Efficiency



#### ■ Absolute Maximum Ratings $T_a = 25^\circ\text{C}$

Parameter	Symbol	MUR1010 CTF	MUR1020 CTF	MUR1040 CTF	MUR1060 CTF	Unit
Repetitive Peak Reverse Voltage	$V_{RRM}$	100	200	400	600	V
RMS Voltage	$V_{RMS}$	70	140	280	420	
Maximum DC Blocking Voltage	$V_{DC}$	100	200	400	600	
Forward Voltage $I_F=5A$	$V_F$	1		1.3	1.5	
Averaged Forward Current	$I_{FAV}$	10				A
Peak Forward Surge Current @ 8.3ms	$I_{FSM}$	100				
Maximum DC Reverse Current $T_a=25^\circ\text{C}$ $T_a=125^\circ\text{C}$	$I_R$	10				$\mu\text{A}$
		250				
Maximum Reverse Current $I_F=0.5A$ $I_R=1.0A$ $I_{REC}=0.25A$	$t_{rr}$	35		50		ns
Typical thermal resistance	$R_{\theta JC}$	3		2		$^\circ\text{C}/\text{W}$
Junction Temperature	$T_j$	150				$^\circ\text{C}$
Storage Temperature	$T_{stg}$	-55 to 150				

## Ultra-Fast Recover Diodes MUR1010CTF ~ MUR1060CTF

■ Typical Characteristics

