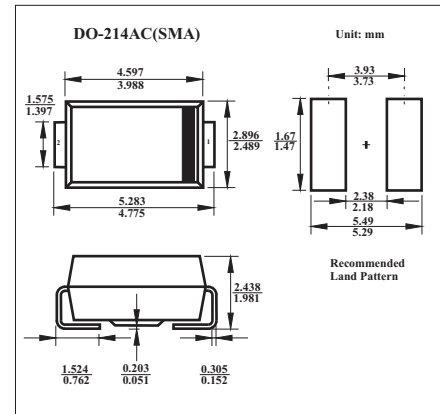


SURFACE MOUNT TRANSIENT VOLTAGE SUPPRESSOR

P4SMAJ60A

■ Features

- For surface mounted applications in order to optimize board space.
- Low profile package
- Built-in strain relief
- Glass passivated junction
- Excellent clamping capability
- Low inductance

■ Absolute Maximum Ratings $T_a = 25^\circ\text{C}$

| Parameter | Symbol | Ratings | Units |
|--|----------------|-------------|------------------|
| Peak Power Dissipation at $T_a=25^\circ\text{C}$, $T_P=1\text{ms}$ (Note 1,2,5) | PPPM | Minimum 400 | W |
| Steady State Power Dissipation (Note 3) | PM(AV) | 1 | W |
| Peak Forward Surge Current (Note 4) | IFSM | 40 | A |
| Peak Pulse Current Current on 10/1000 μs waveform (Note 1,2,5) | IPPM | See Table | A |
| Operating and Storage Temperature Range | T_j, T_{STG} | -55 to +150 | $^\circ\text{C}$ |

■ Electrical Characteristics $T_a = 25^\circ\text{C}$

| Part Number | Reverse Stand-off Voltage | Breakdown Voltage | | Test Current | Reverse Leakage | Max. Clamp Voltage | Peak Pulse Current |
|-------------|---------------------------|-------------------|------|--------------|-----------------|--------------------|--------------------|
| | V_{RWM} | $V_{BR} @ I_T$ | | I_T | $I_R @ V_{RWM}$ | $V_C @ I_{PP}$ | I_{PP} |
| | | Min. | Max. | | | | |
| P4SMAJ60A | 60 | 66.7 | 76.7 | 1.0 | 5 | 96.8 | 4.1 |

NOTES:

1. Non-repetitive current pulse and derated above $T_a = 25^\circ\text{C}$
2. Mounted on 5.0mm² copper pad to each terminal.
3. lead temperature at 75°C .
4. 8.3ms single half sine-wave, duty cycle= 4 pulses per minutes maximum.
5. Peak pluse power waveformis 10/1000 μs .

■ Marking

| | |
|---------|----|
| Marking | RK |
|---------|----|

P4SMAJ60A

Typical Characteristics

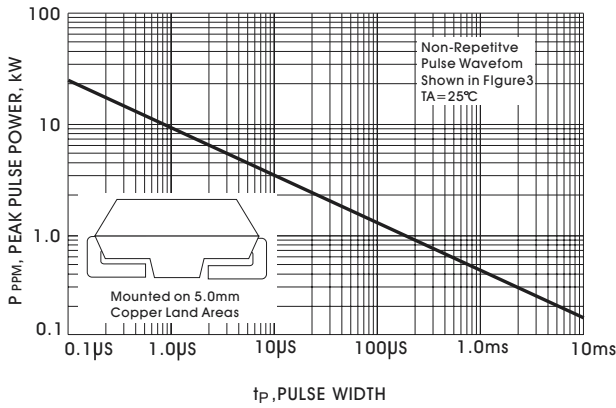


Figure 1, Peak Pulse Power Rating Curve

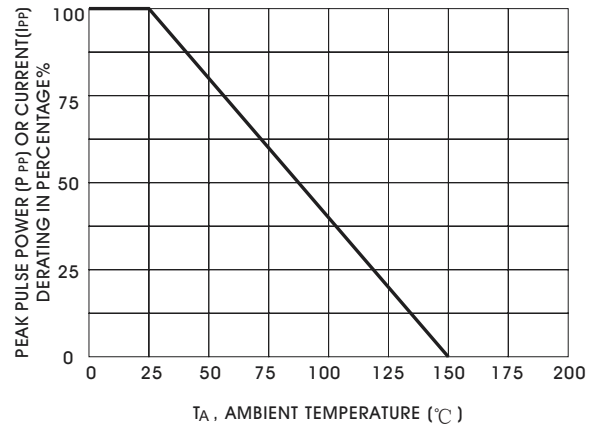


Figure 2, Derating Curve

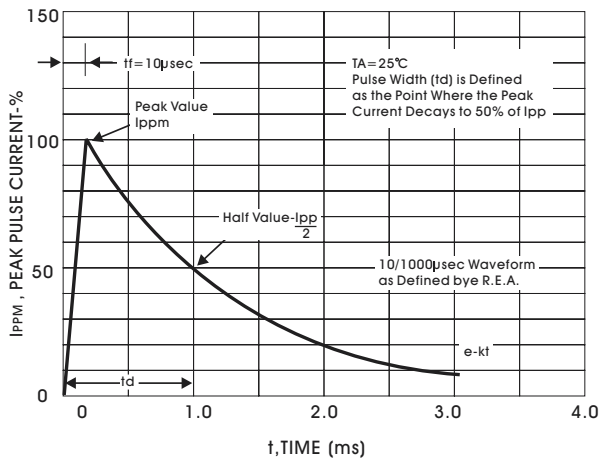


Figure 3, Pulse Waveform

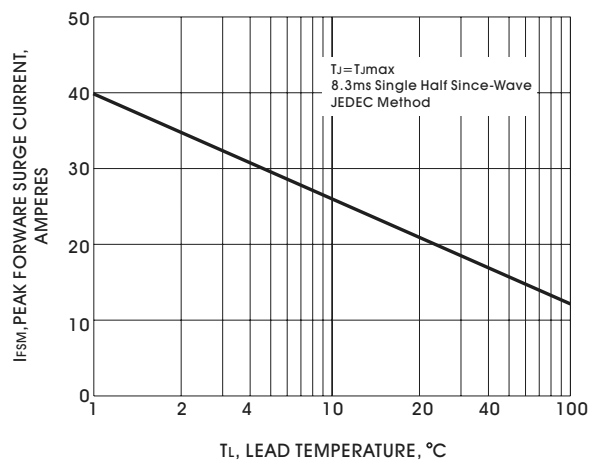


Figure 4, Maximum Non-Repetitive Peak Forward Surge Current

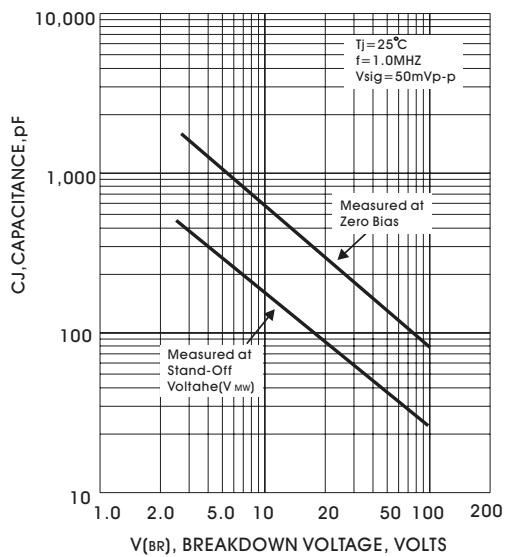


Figure 5, Typical Capacitance