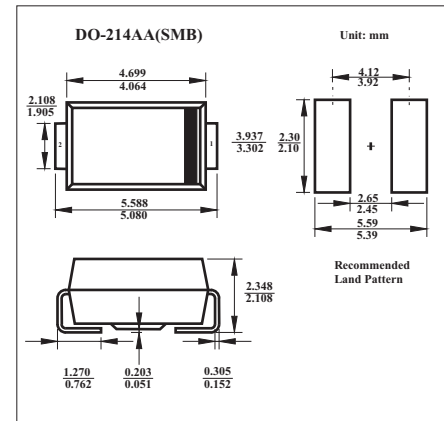


SURFACE MOUNT TRANSIENT VOLTAGE SUPPRESSOR

P6SMBJ24A

■ Features

- For surface mounted applications in order to optimize board space.
- Low profile package
- Built-in strain relief
- Glass passivated junction
- Excellent clamping capability
- Low inductance

■ Absolute Maximum Ratings $T_a = 25^\circ\text{C}$

| Parameter | Symbol | Ratings | Units |
|--|----------------|-------------|------------------|
| Peak Power Dissipation at $T_a=25^\circ\text{C}$, $T_P=1\text{ms}$ (Note 1,2) | PPPM | Minimum 600 | W |
| Peak Forward Surge Current (Note 2,3) | IFSM | 100 | A |
| Peak Pulse Current Current on 10/1000 μs waveform (Note 1) | IPPM | See Table | A |
| Operating and Storage Temperature Range | T_j, T_{STG} | -55 to +150 | $^\circ\text{C}$ |

■ Electrical Characteristics $T_a = 25^\circ\text{C}$

| Part Number | Reverse Stand-off Voltage | Breakdown Voltage | | Test Current | Reverse Leakage | Max. Clamp Voltage | Peak Pulse Current |
|-------------|---------------------------|-------------------|------|--------------|-----------------|--------------------|--------------------|
| | VRWM | VBR @ IT | | IT | IR @ VRWM | VC @ IPP | IPP |
| | | Min. | Max. | | | | |
| | V | V | V | mA | μA | V | A |
| P6SMBJ24A | 24 | 26.7 | 30.7 | 1.0 | 5 | 38.9 | 15.4 |

NOTES:

1. Non-repetitive current pulse, per Fig. 3 and derated above $T_a=25^\circ\text{C}$ per
2. Mounted on 5.0mm² (.013mm thick) land areas.
3. Measured on 8.3ms, single half sine-wave or equivalent square wave, duty cycle= 4 pulses per minutes maximum.

■ Marking

| | |
|---------|----|
| Marking | LY |
|---------|----|

P6SMBJ24A

Typical Characteristics



Figure 1, Peak Pulse Power Rating Curve



Figure 2, Derating Curve

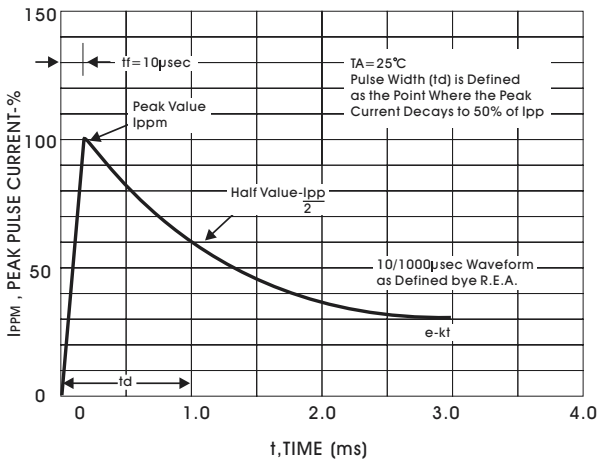


Figure 3, Pulse Waveform

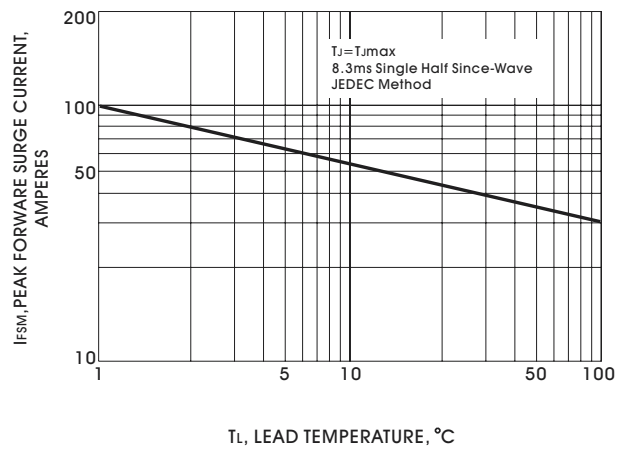


Figure 4, Maximum Non-Repetitive Peak Forward Surge Current



Figure 5, Typical Capacitance