

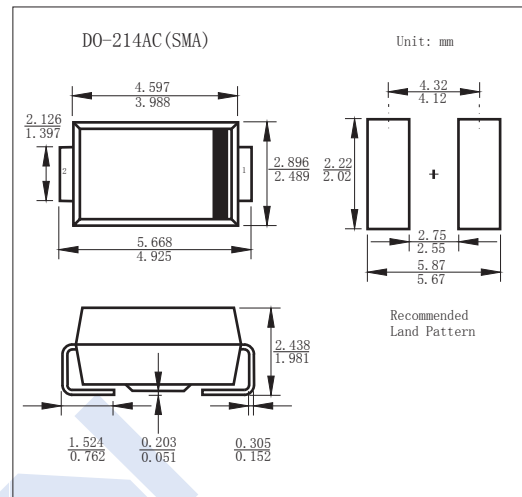
Schottky Diodes

SS32 ~ SS320

■ Features

- For surface mounted application
- Easy pick and place
- Low power loss, high efficiency
- High current capability, low V_F
- High surge current capability
- Plastic material used carriers Underwriters

Laboratory Classification 94V-0



■ Absolute Maximum Ratings $T_a = 25^\circ\text{C}$

Parameter	Symbol	SS 32	SS 33	SS 34	SS 35	SS 36	SS 39	SS 310	SS 315	SS 320	Unit
Repetitive Peak Reverse Voltage	V_{RRM}	20	30	40	50	60	90	100	150	200	V
RMS Voltage	V_{RMS}	14	21	28	35	42	63	70	105	140	
Maximum DC Blocking Voltage	V_{DC}	20	30	40	50	60	90	100	150	200	
Forward Voltage @ 3A (Note.1)	V_F	$T_a = 25^\circ\text{C}$		0.55		0.75		0.85		0.95	
		$T_a = 100^\circ\text{C}$		0.4		0.65		0.7		0.8	
Averaged Forward Current	I_{FAV}	3									A
Peak Forward Surge Current @ 8.3ms	I_{FSM}	100			70						
Maximum DC Reverse Current	I_R	$T_a=25^\circ\text{C}$		0.5			0.1				mA
		$T_a=100^\circ\text{C}$		10		5		-			
		$T_a=125^\circ\text{C}$		-			0.5				
Thermal Resistance.Junction- to-Ambient	R_{thJA}	55									$^\circ\text{C/W}$
Thermal Resistance.Junction- to-Case	R_{thJC}	17									
Operating Temperature Range	T_J	-55 to 125			-55 to 150						$^\circ\text{C}$
Storage Temperature	T_{stg}	-55 to 150									

Note 1: Pluse Test with $PW=300$ usec, 1% Duty Cycle

Schottky Diodes

SS32 ~ SS320

■ Typical Characteristics

FIG. 1 FORWARD CURRENT DERATING CURVE

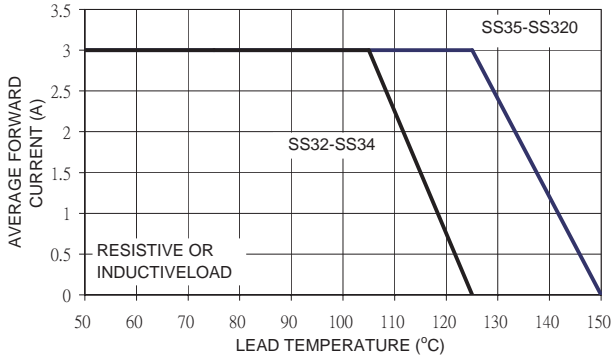


FIG. 2 MAXIMUM NON-REPETITIVE FORWARD SURGE CURRENT

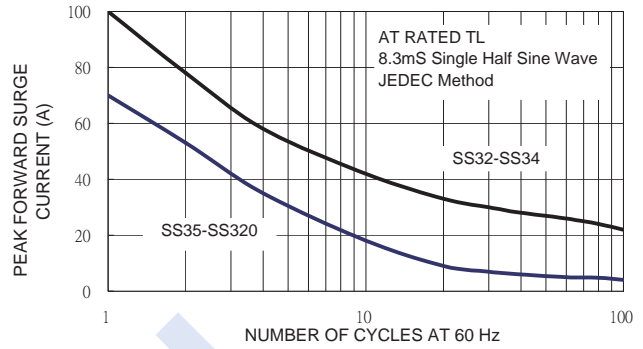


FIG. 3 TYPICAL FORWARD CHARACTERISTICS

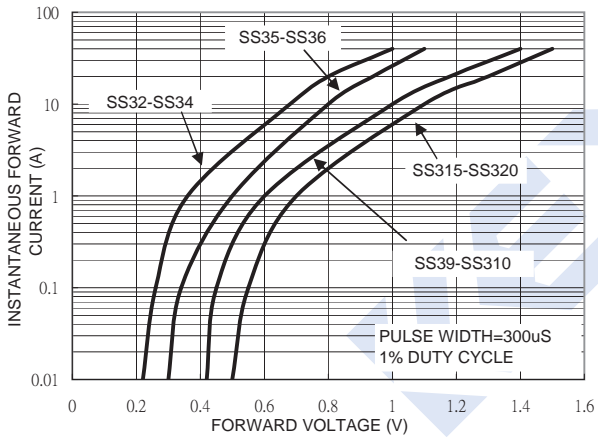


FIG. 4 TYPICAL REVERSE CHARACTERISTICS

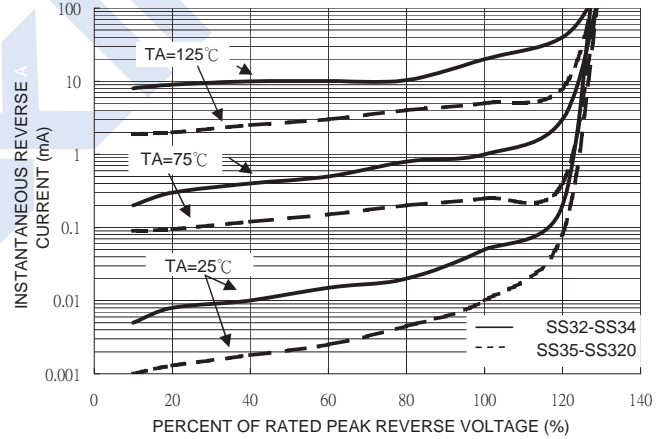


FIG. 5 TYPICAL JUNCTION CAPACITANCE

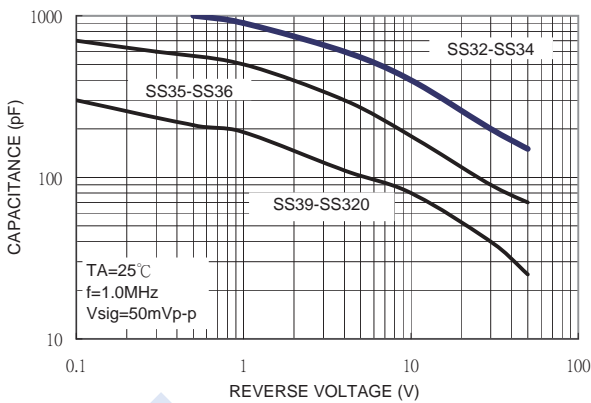


FIG. 6 TYPICAL TRANSIENT THERMAL IMPEDANCE

